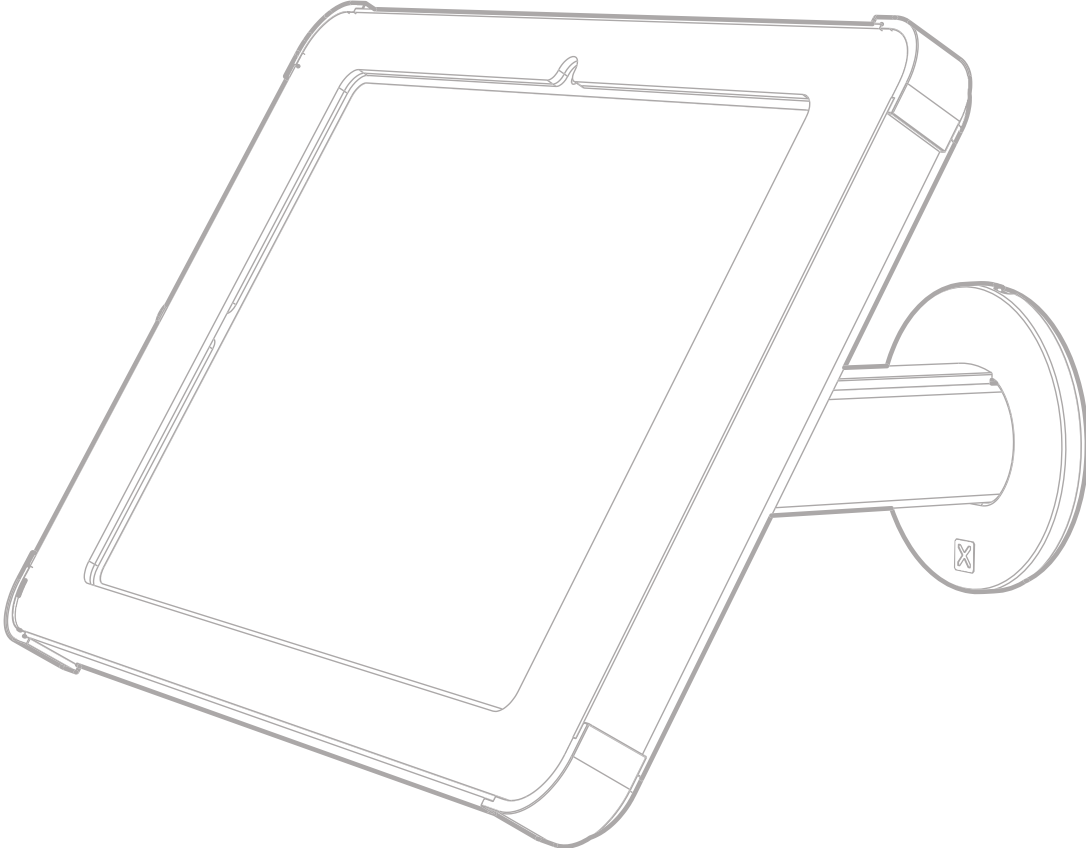


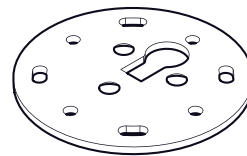
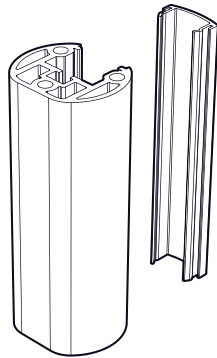
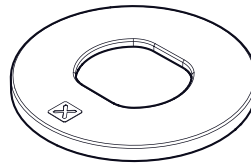
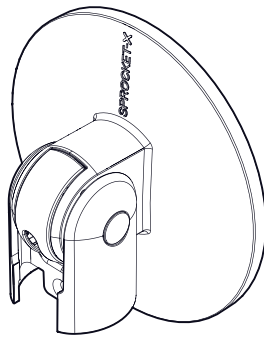
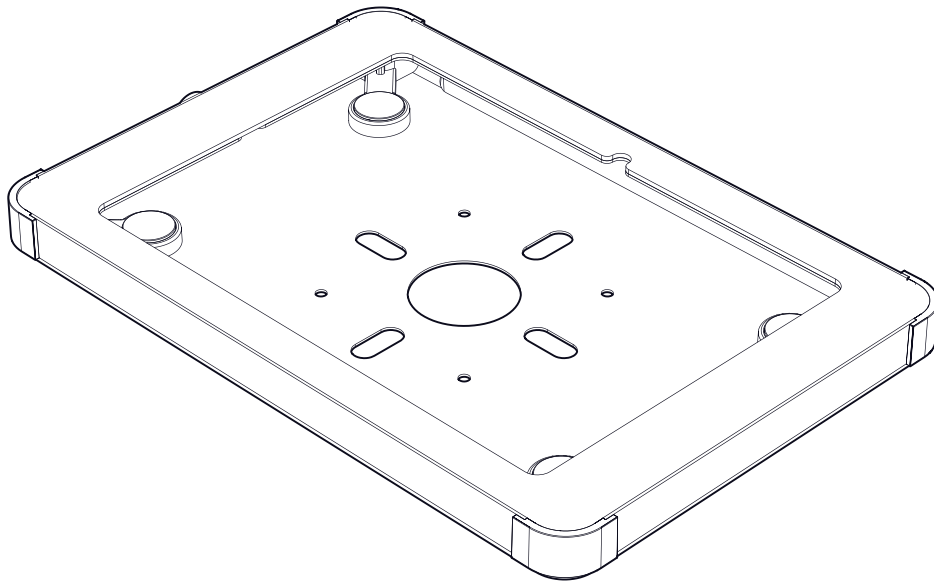


# Assembly Guide

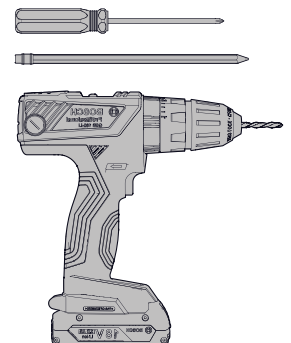
# X Series Wall

Version 2.0



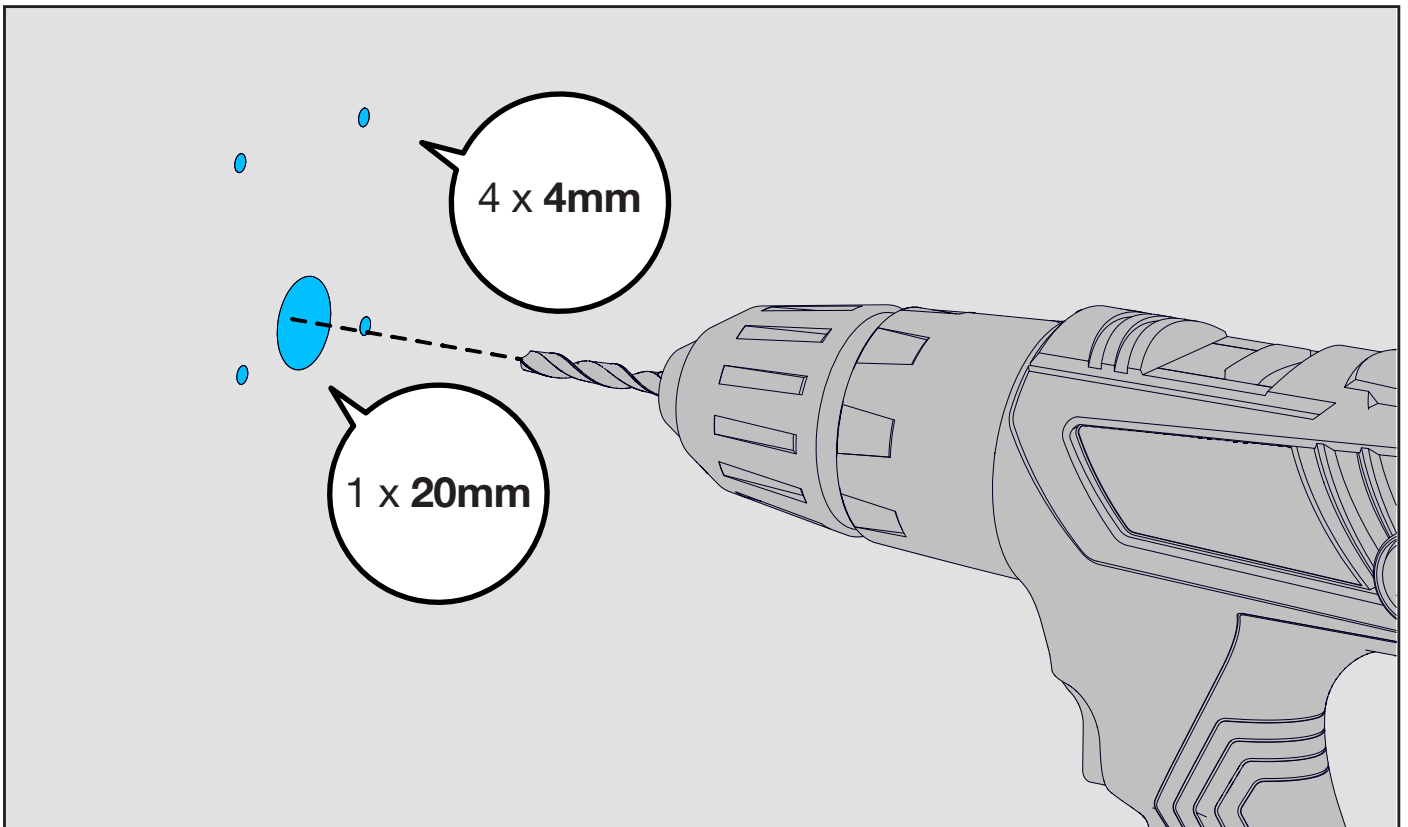
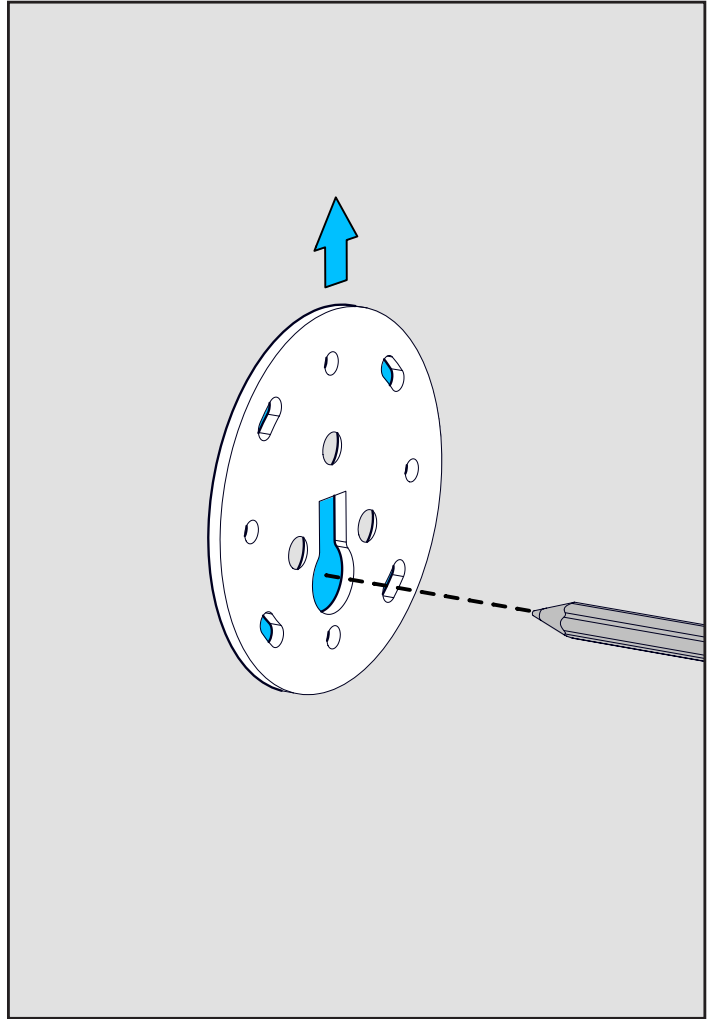
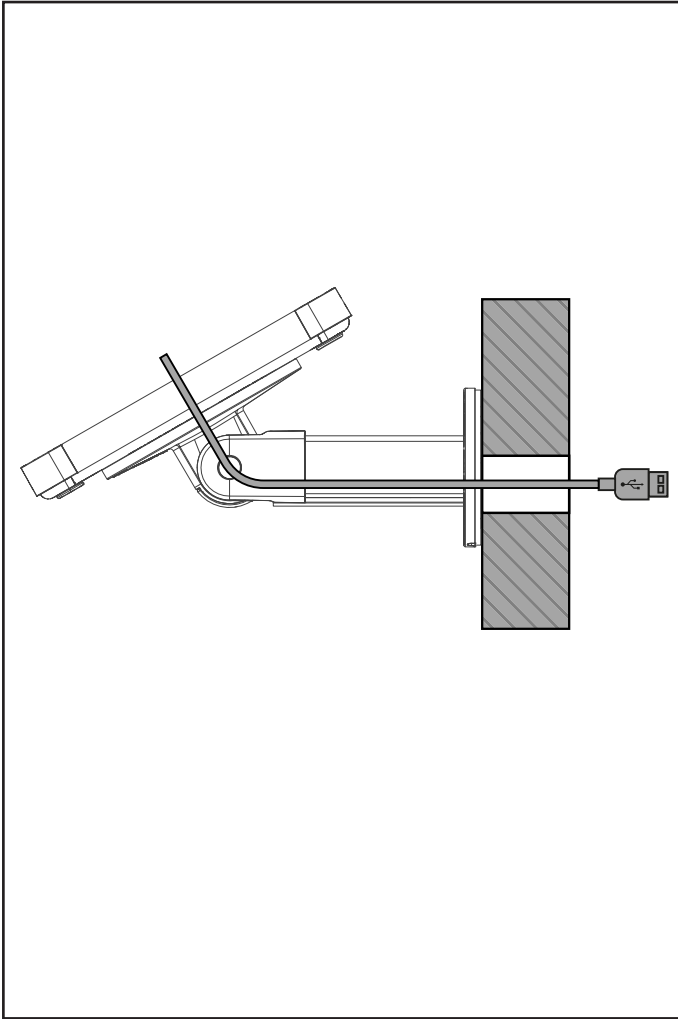


You will need

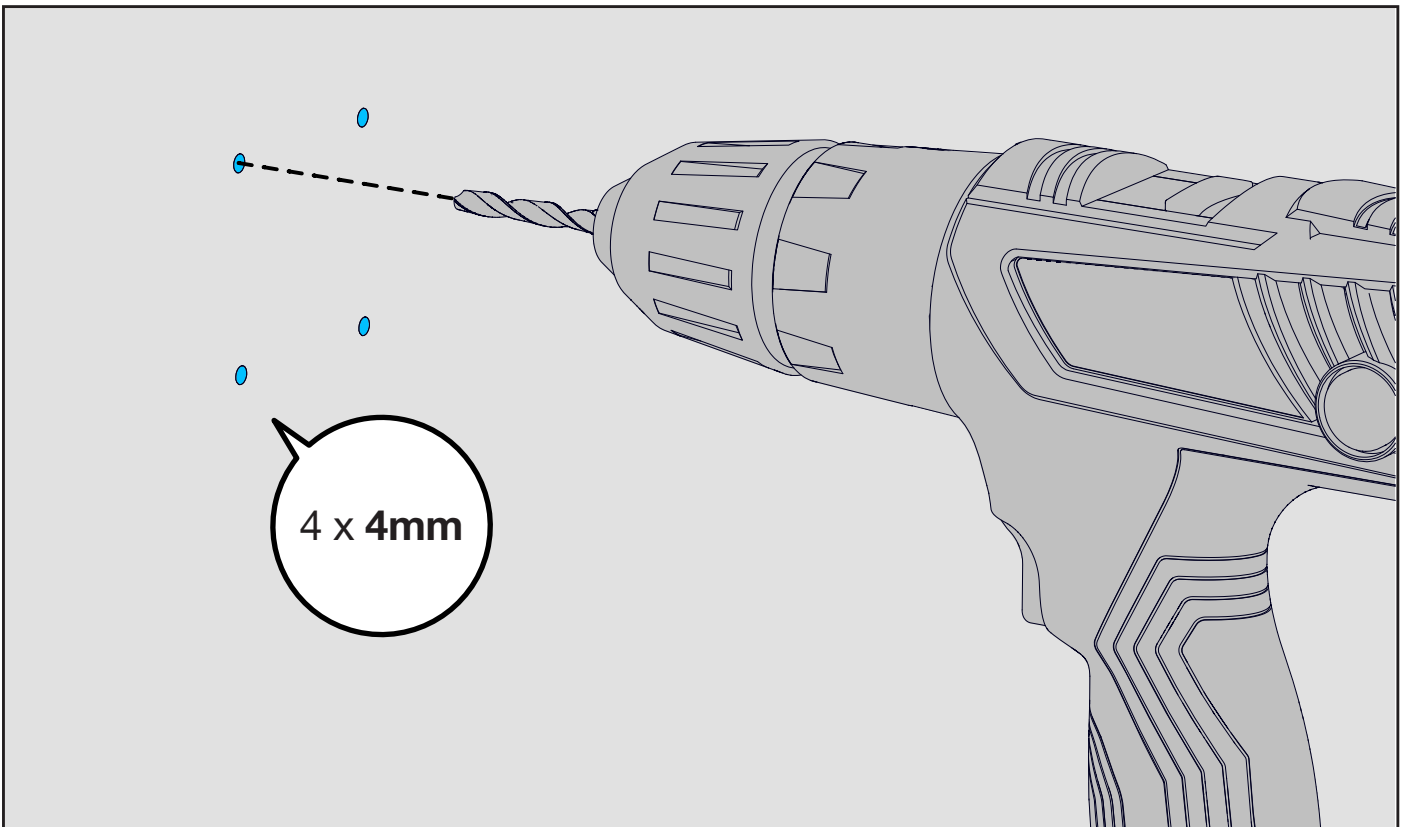
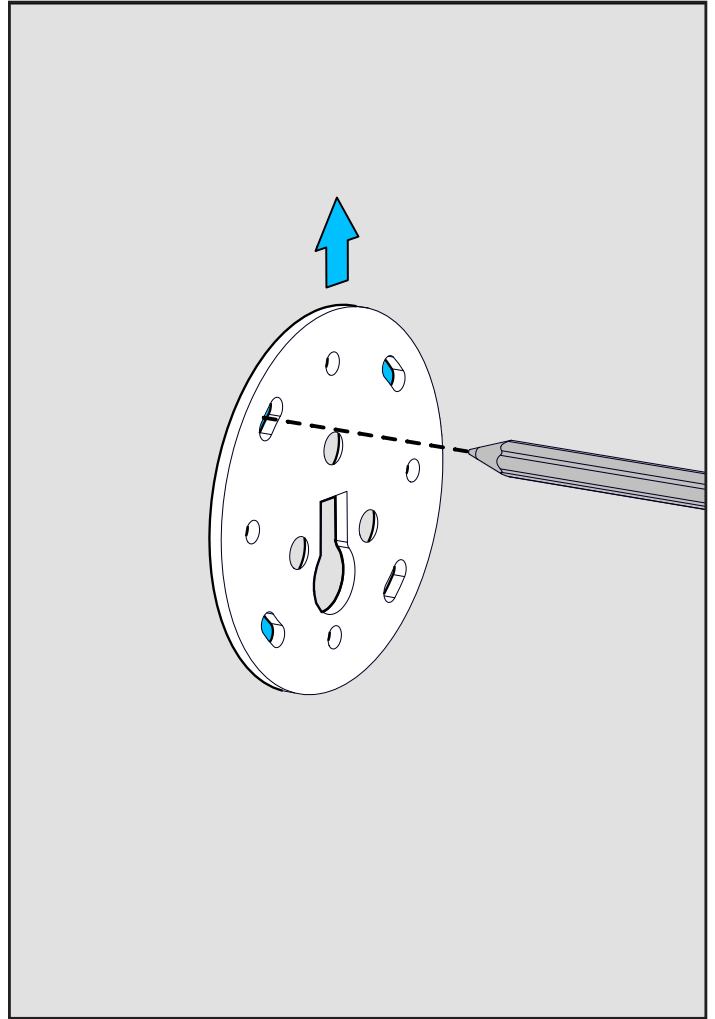
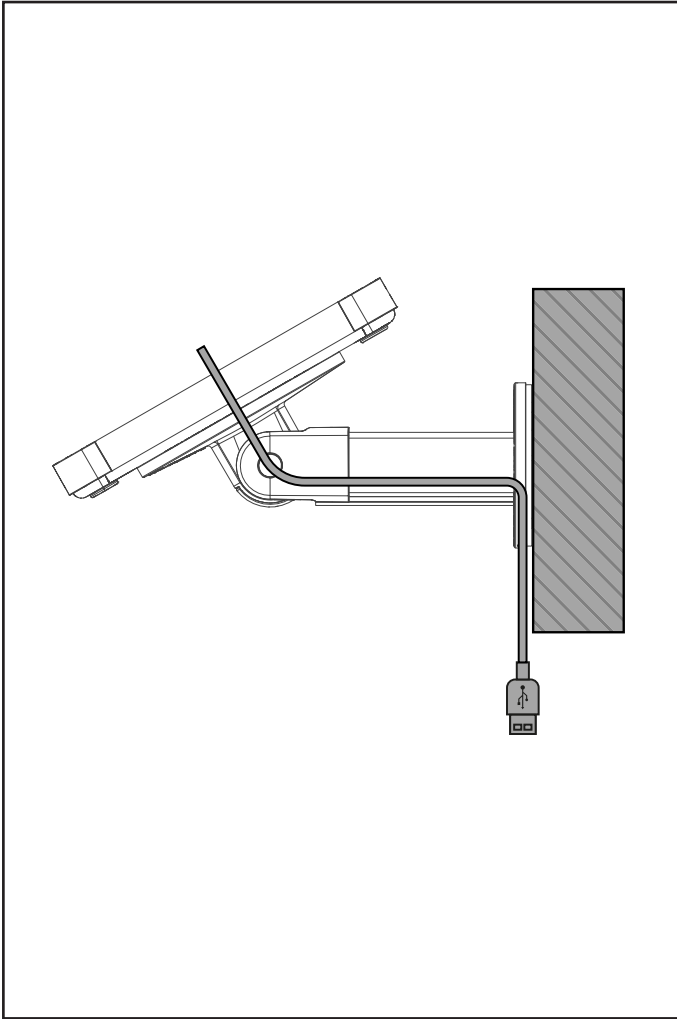


| A     | B     | C     | D    | E    | F  | G      |
|-------|-------|-------|------|------|----|--------|
|       |       |       |      |      |    |        |
| M5x10 | M4x10 | M6x16 | M4x6 | M3x8 |    | 10Gx25 |
| x6    | x9    | x4    | x4   | x4   | x1 | x4     |

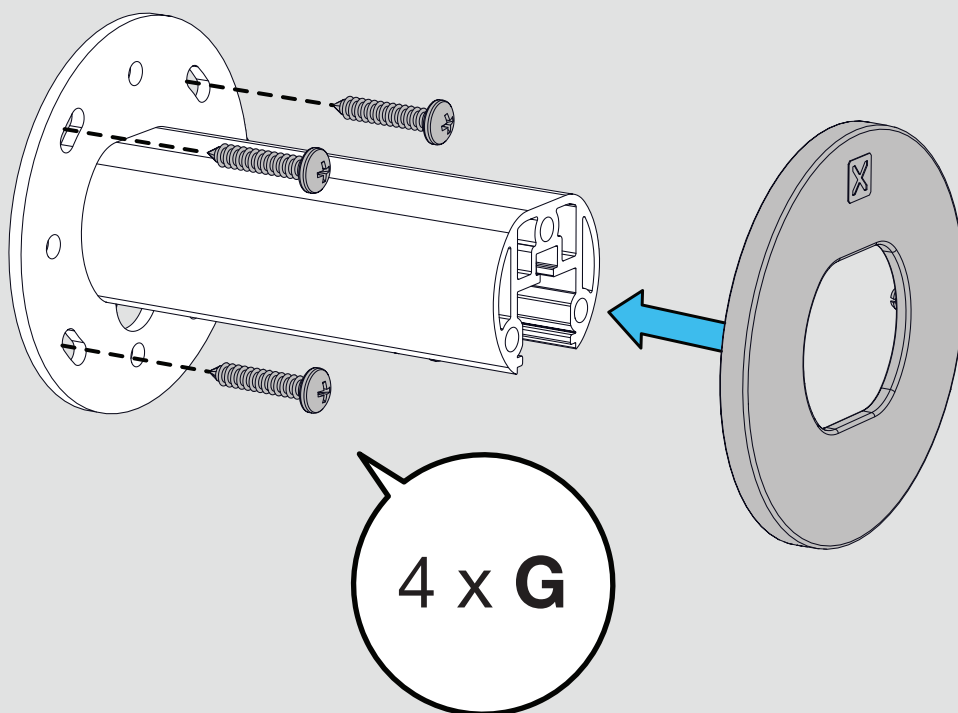
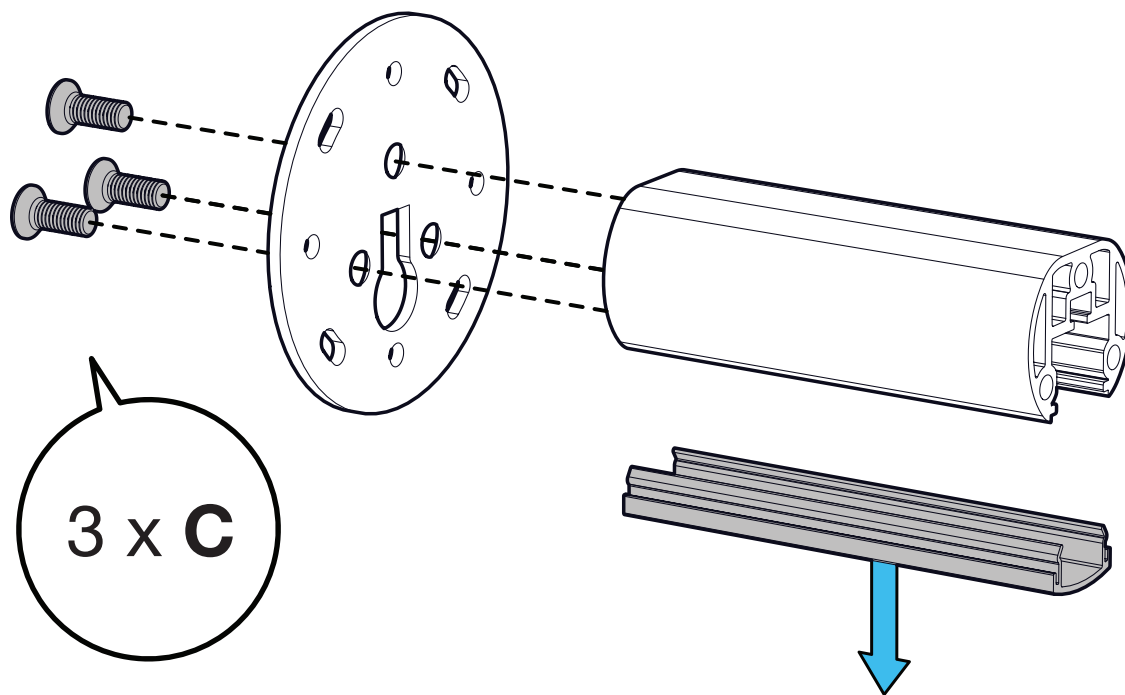
# STEP 1 /10 CONCEALED CABLE OPTION



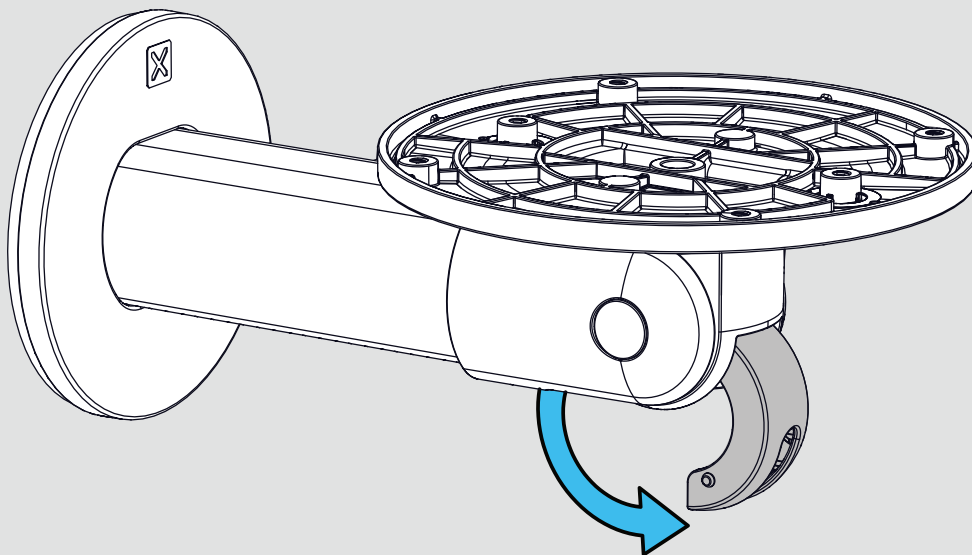
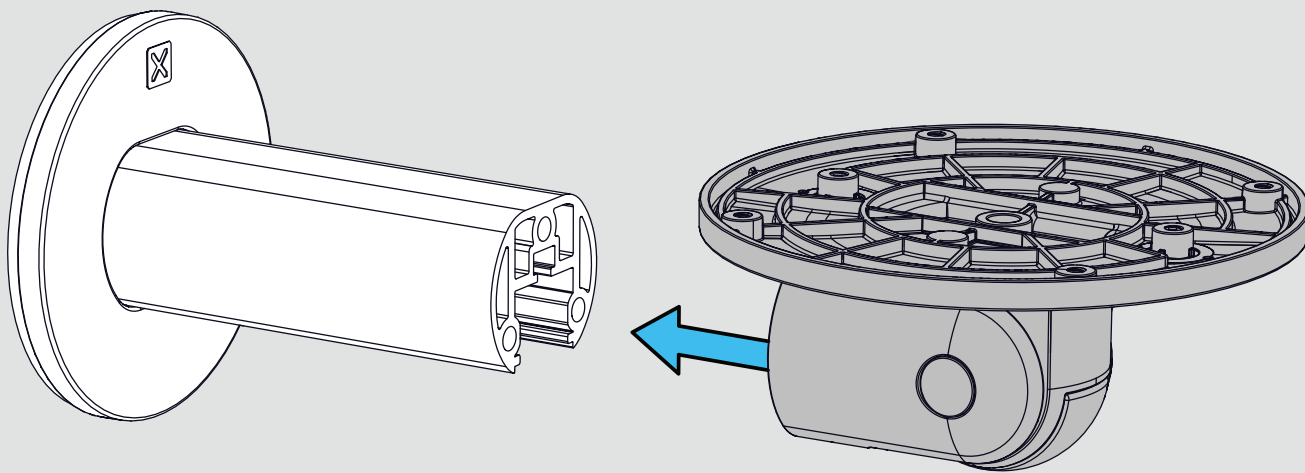
# STEP 1 /10 SURFACE CABLE OPTION



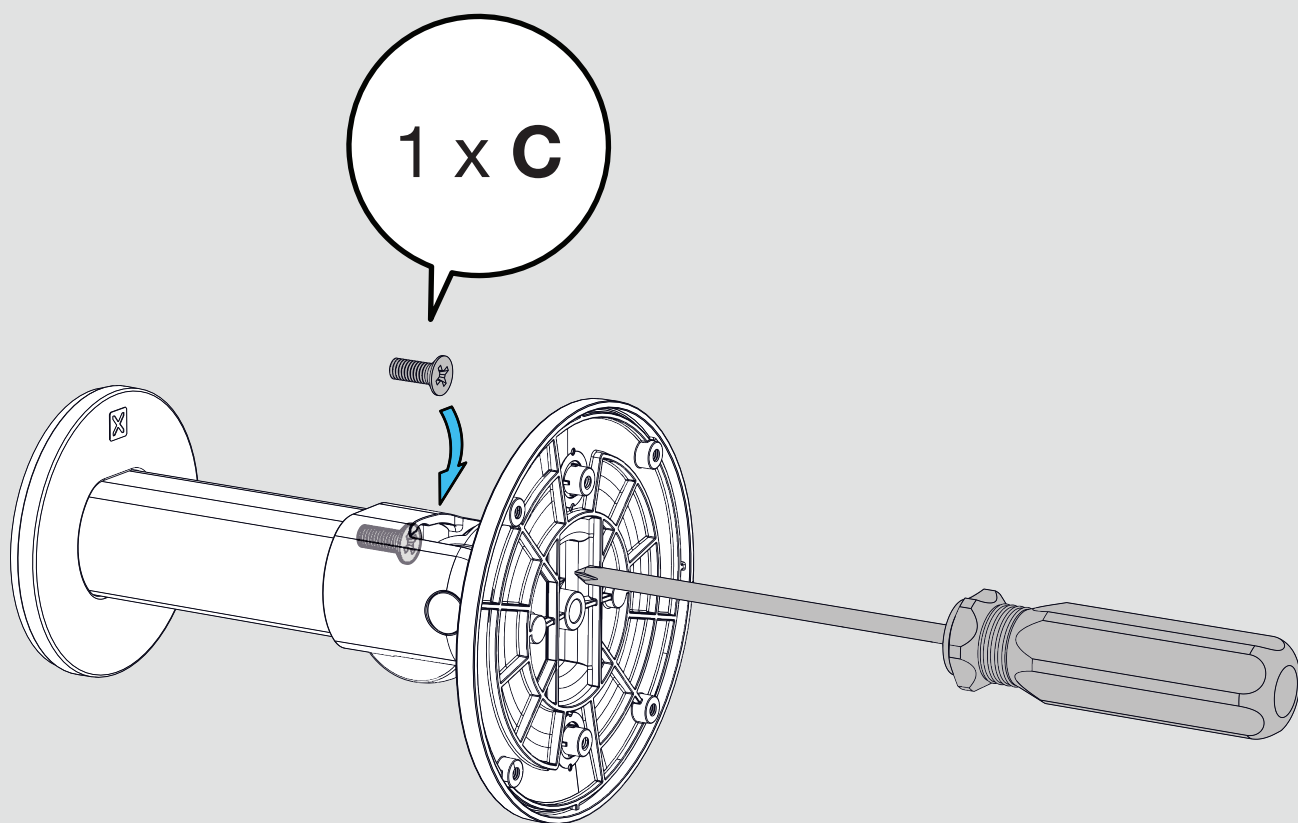
# STEP 2 /10



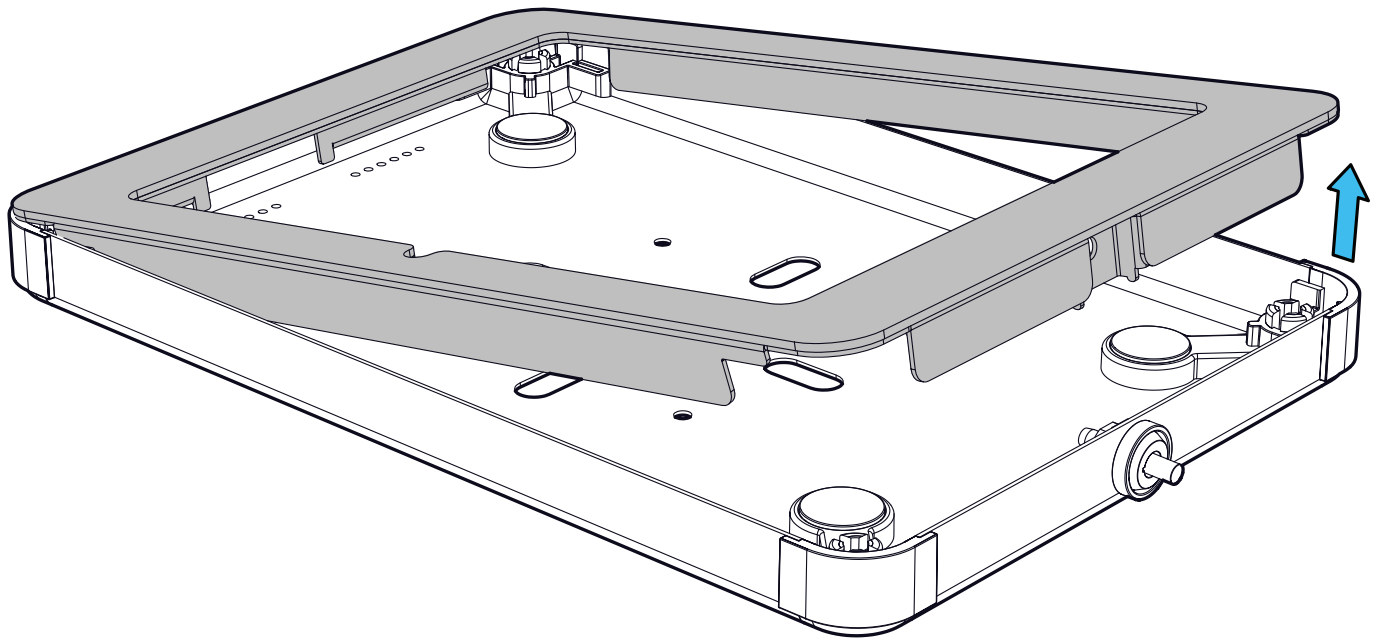
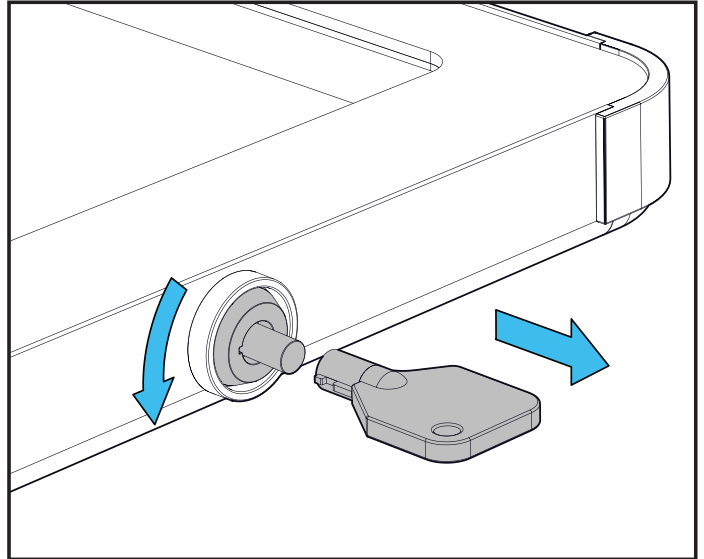
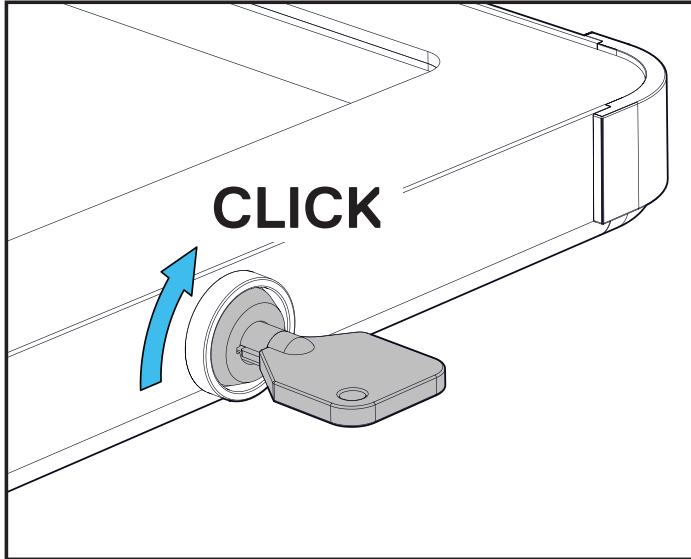
# STEP 3 /10



# STEP 4 /10

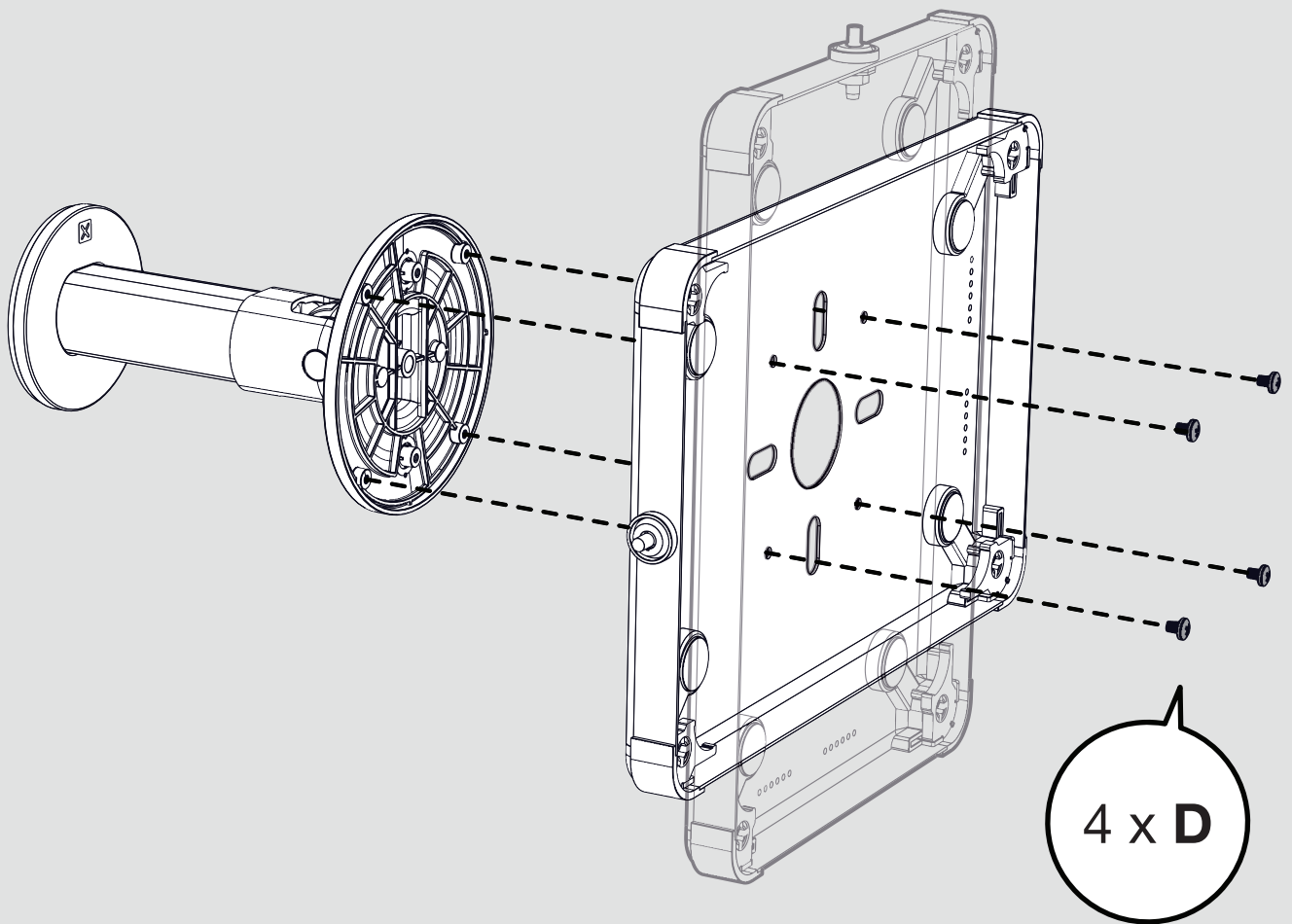


# STEP 5 /10

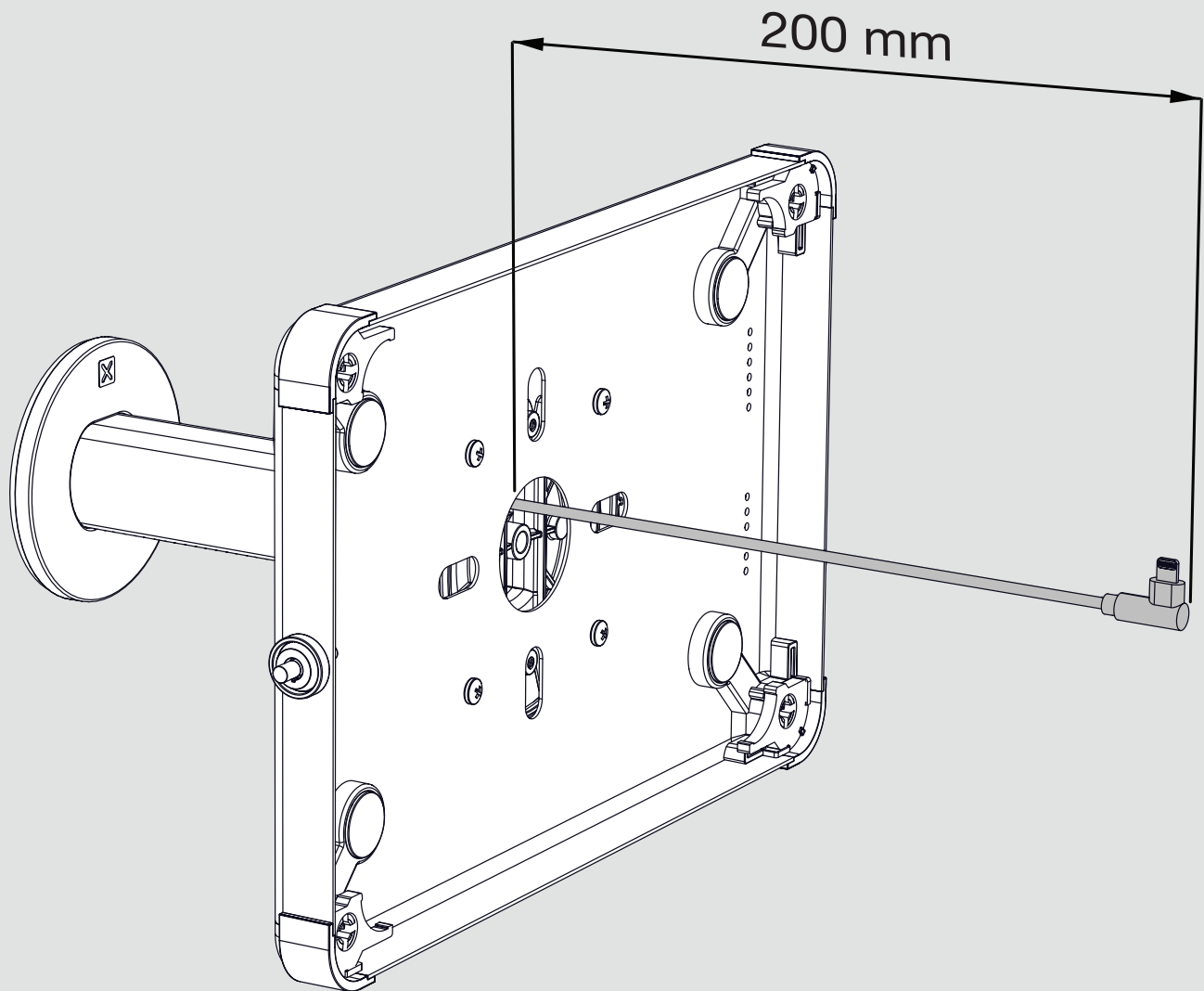




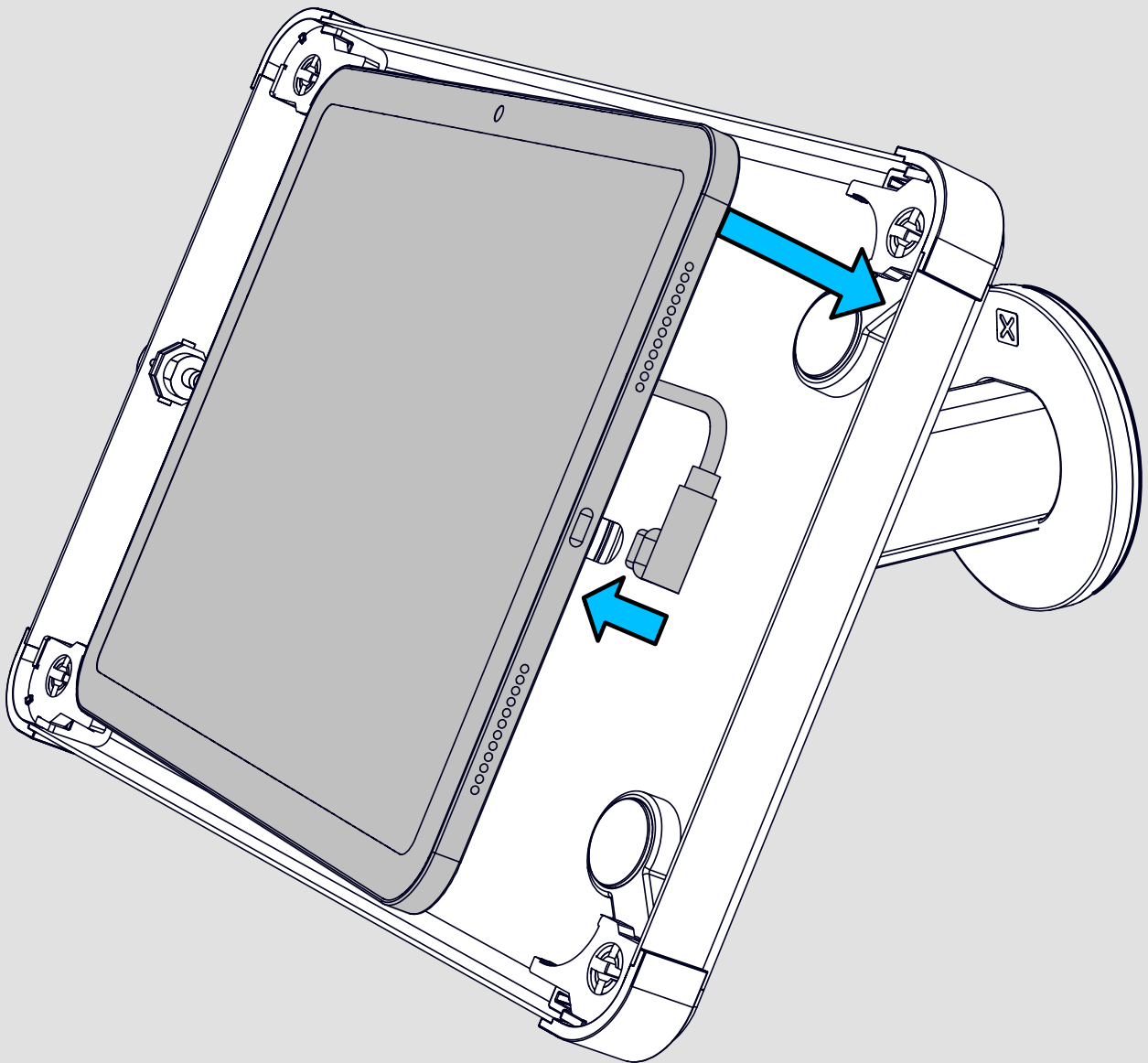
# STEP 6 /10



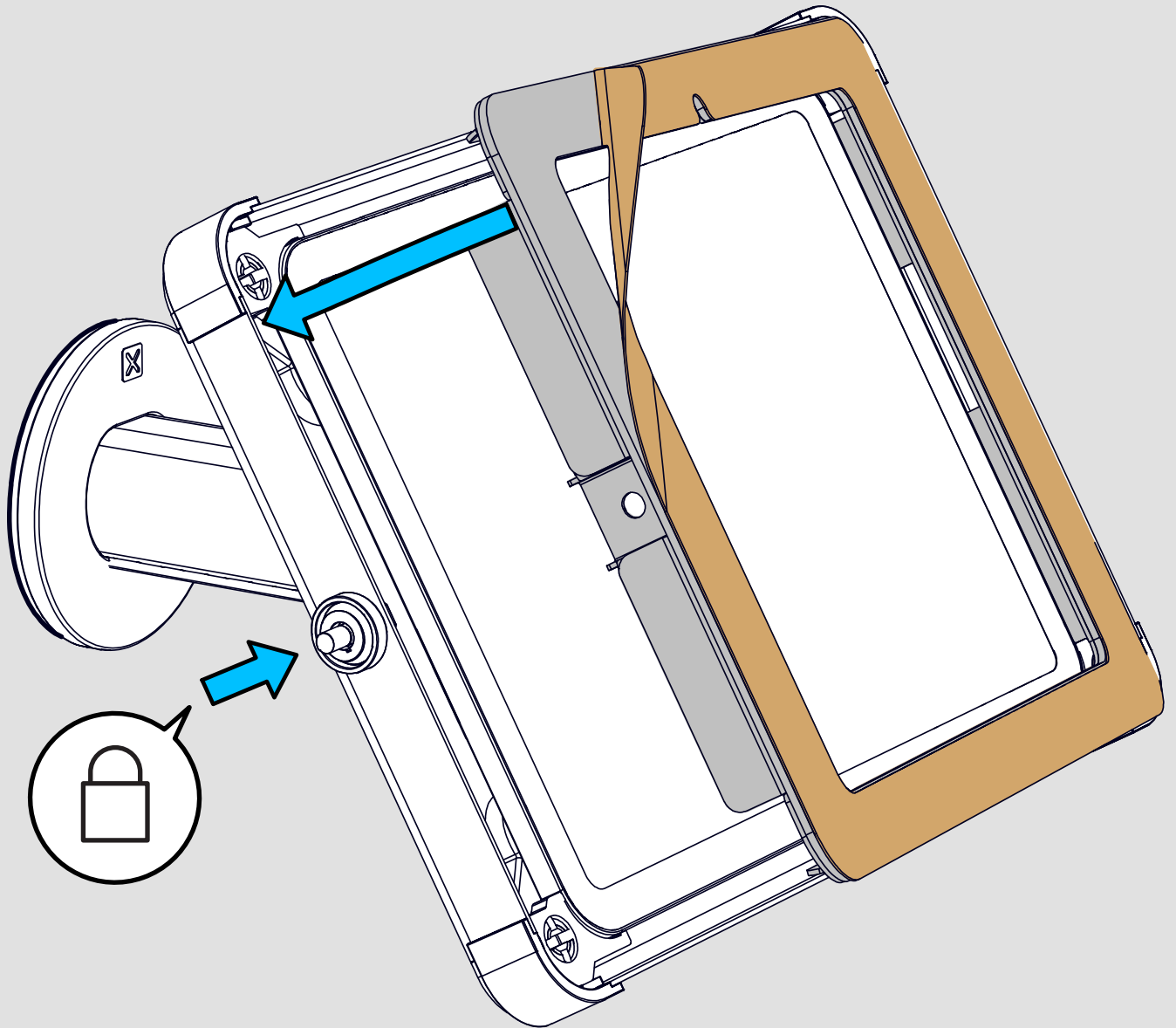
# STEP 7 /10



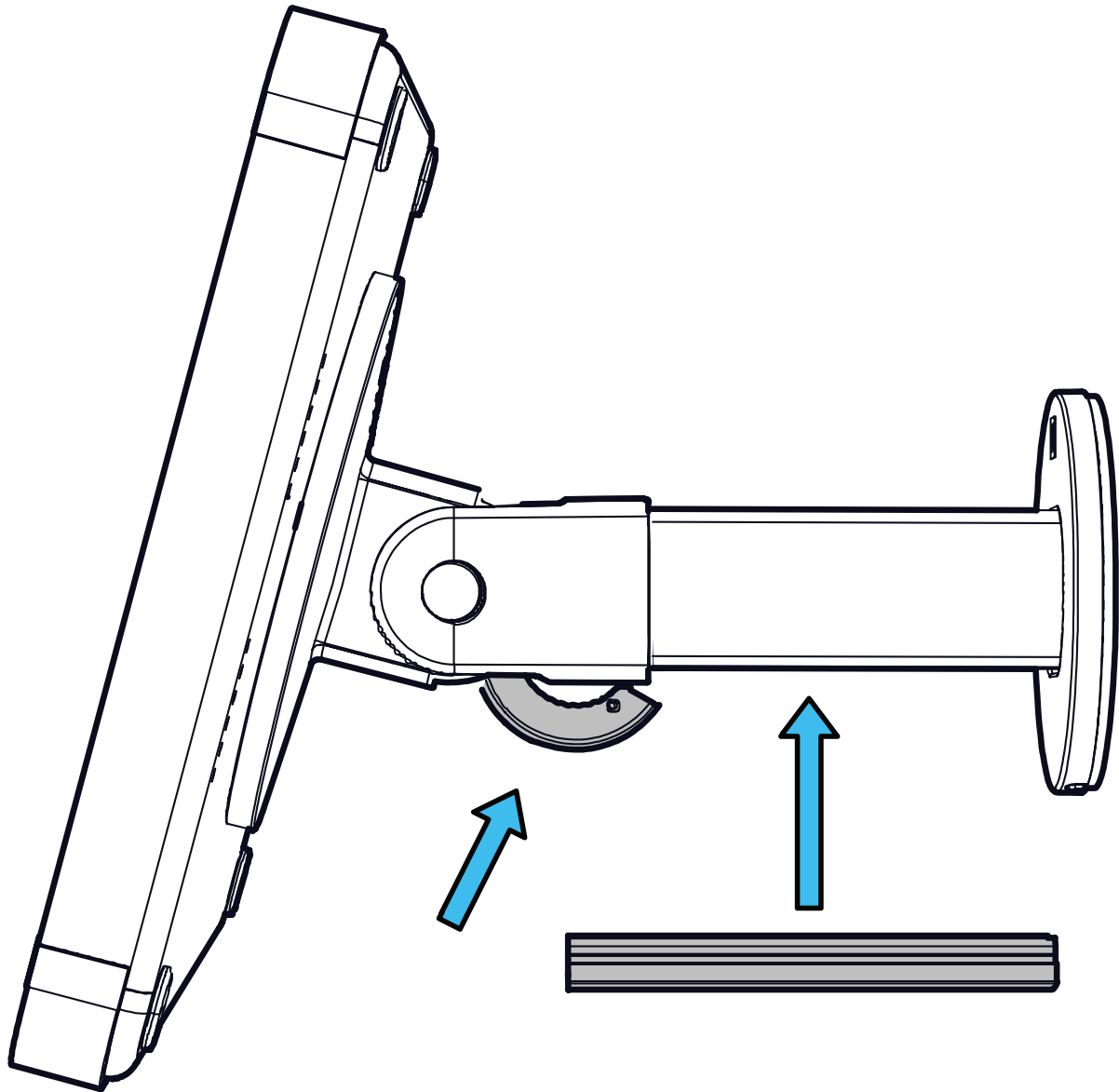
# STEP 8 /10



# STEP 9 /10



# STEP 10 /10



# CARE + MAINTENANCE

