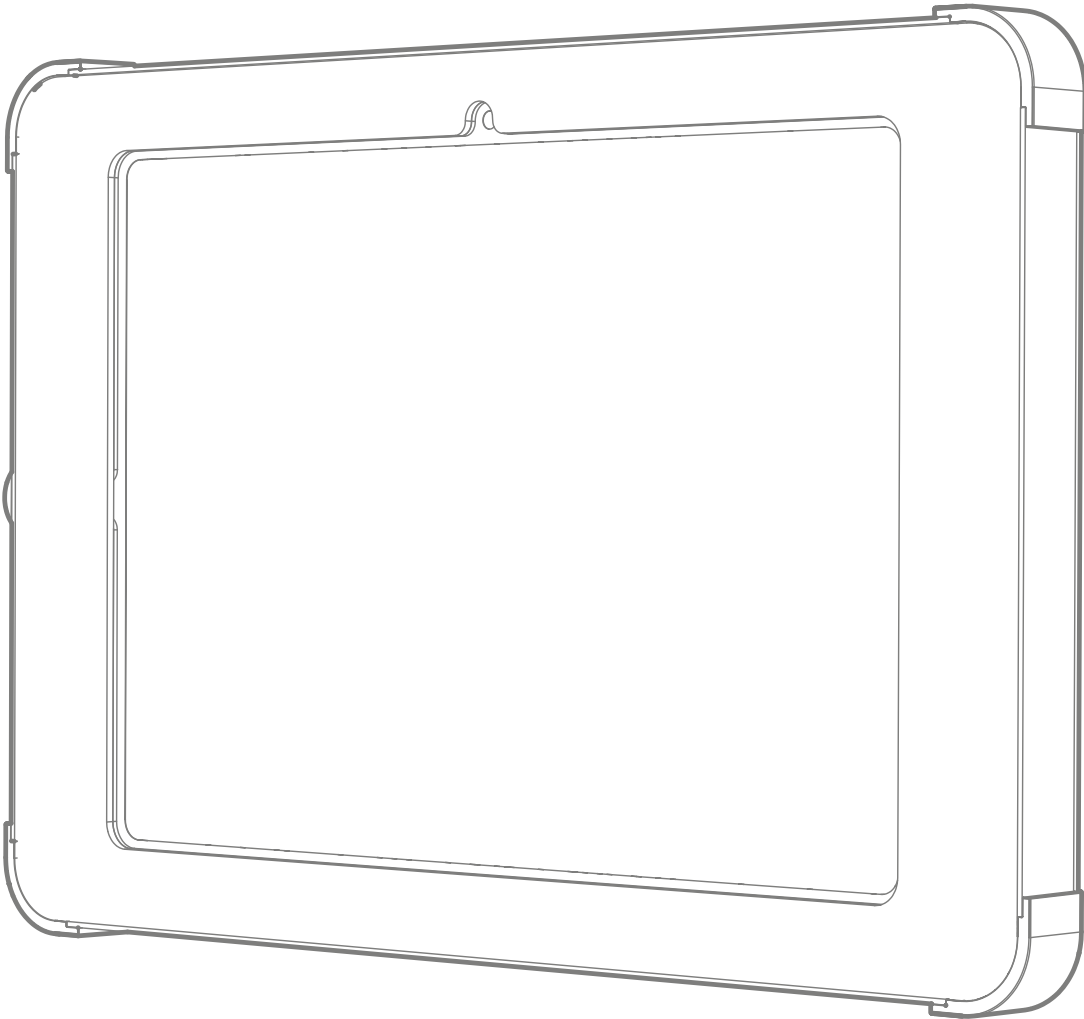
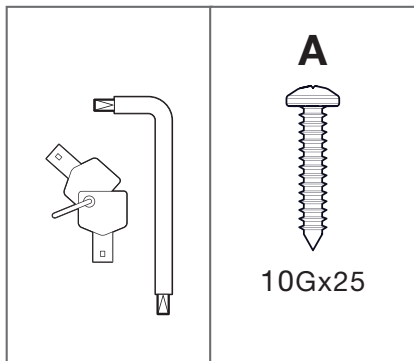
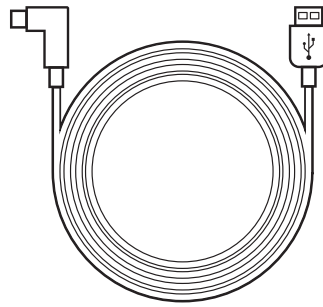
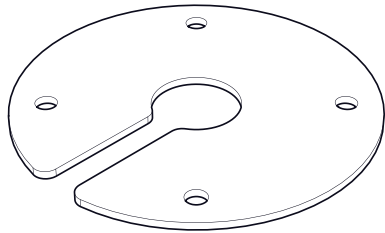
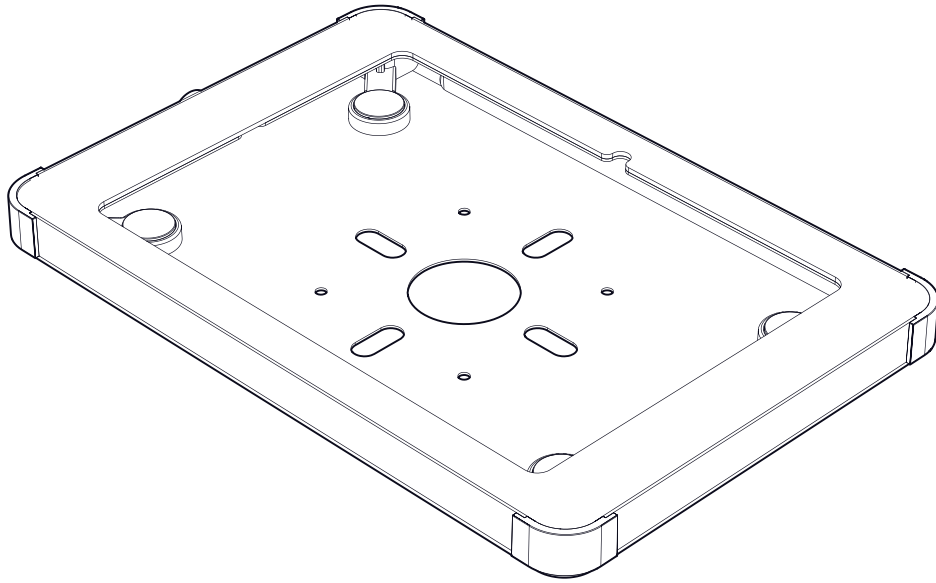


X Series Panel

Version 1.0

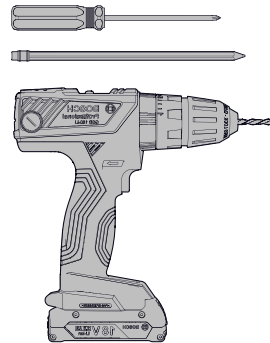




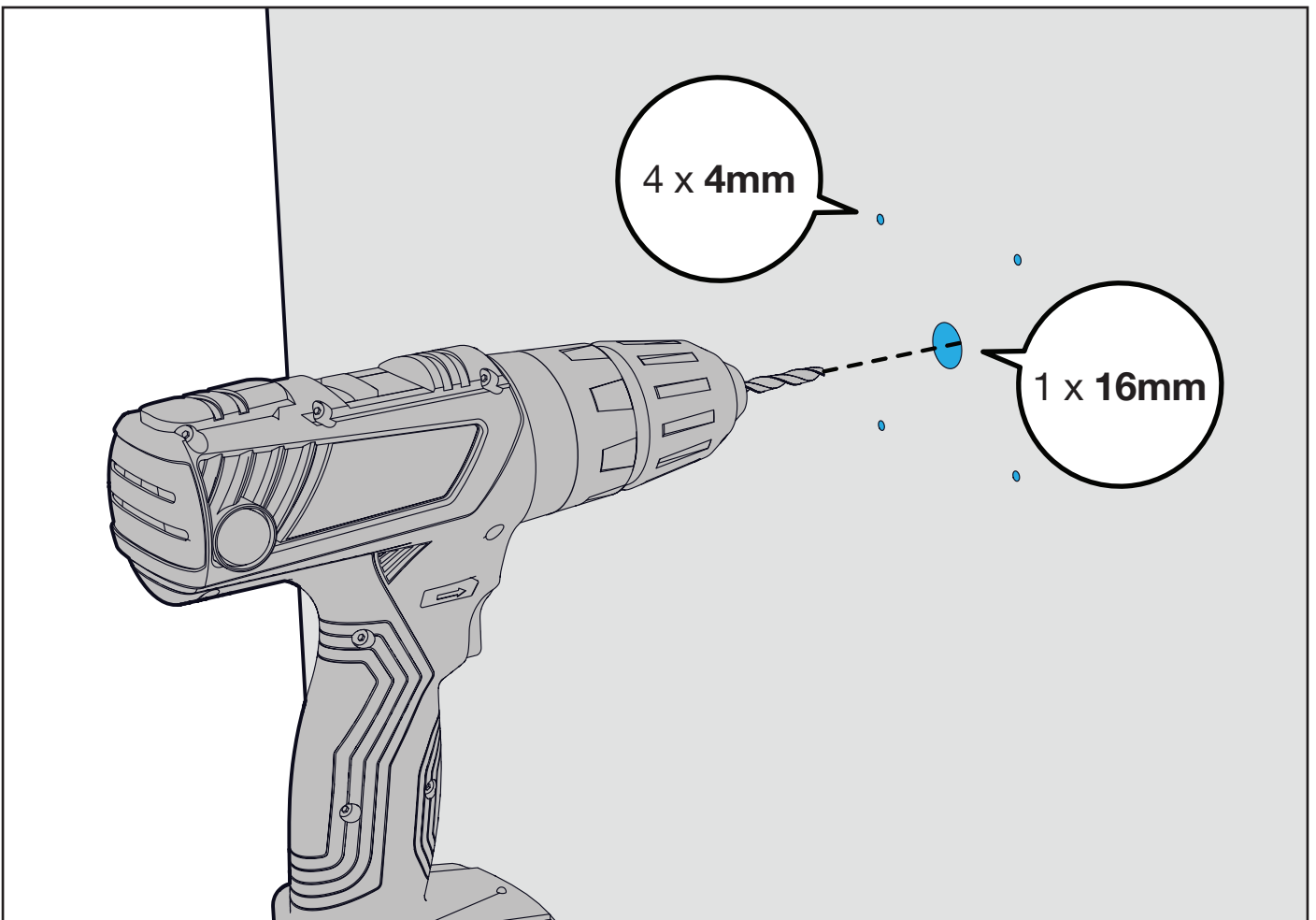
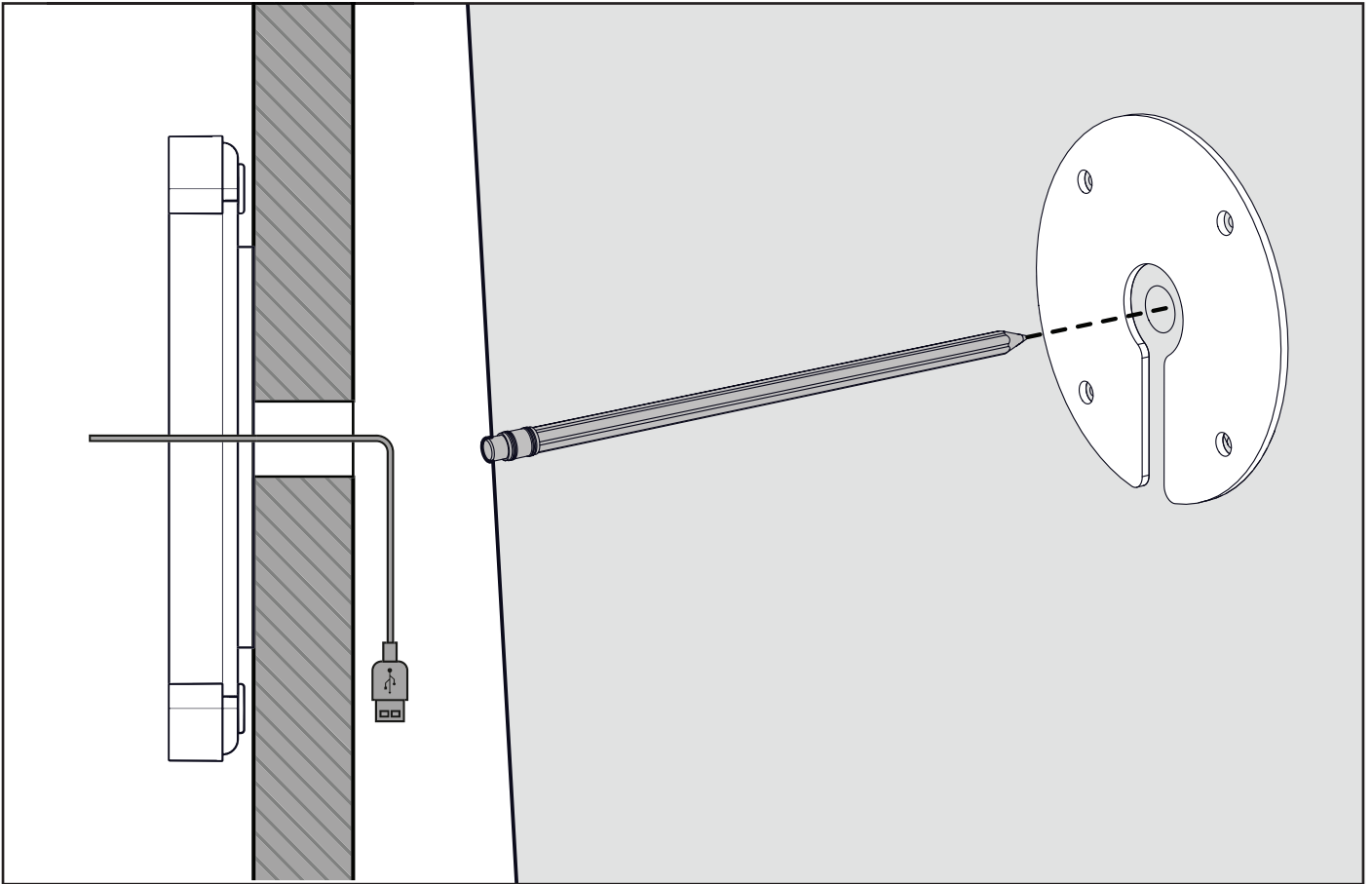
x1

x4

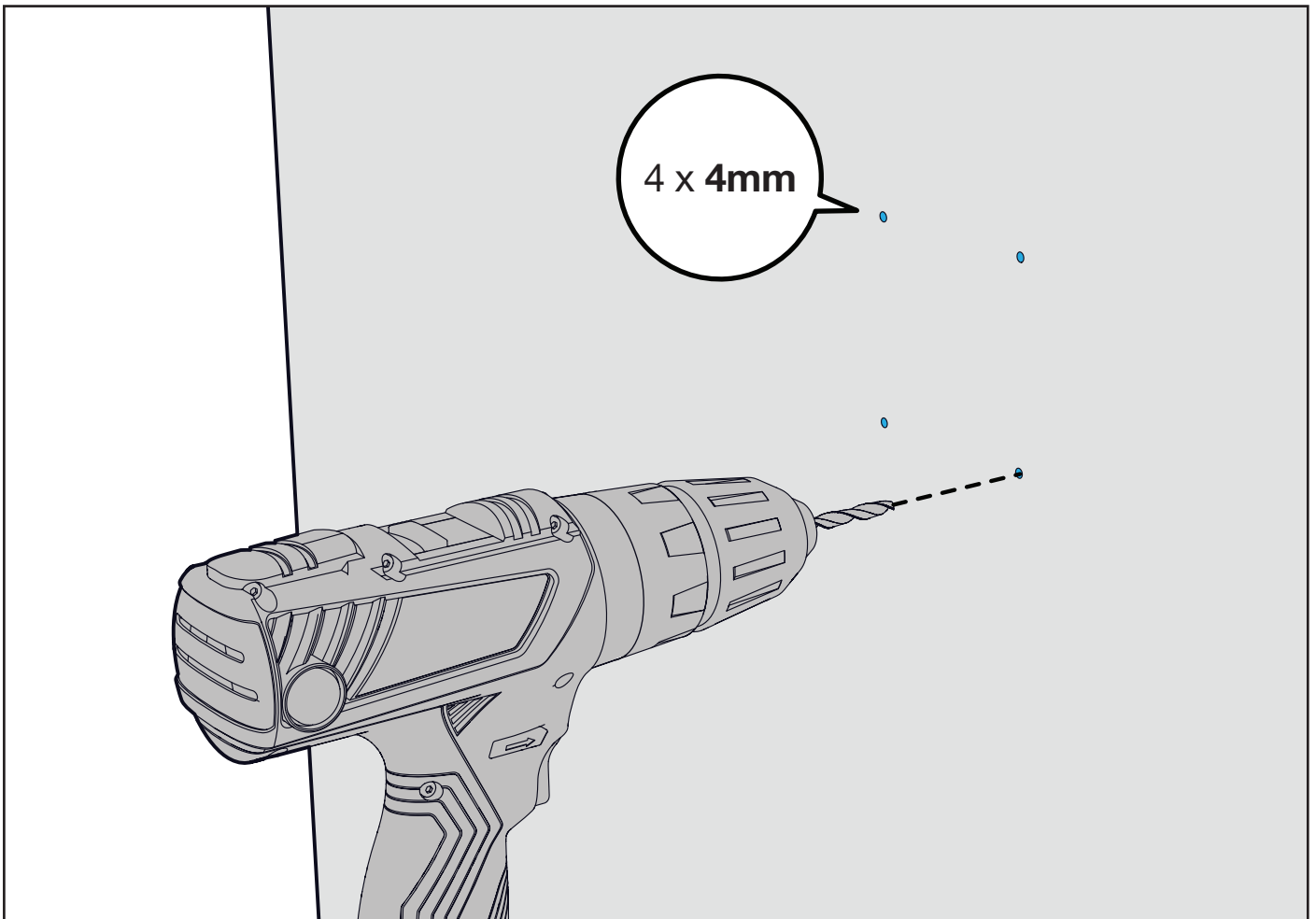
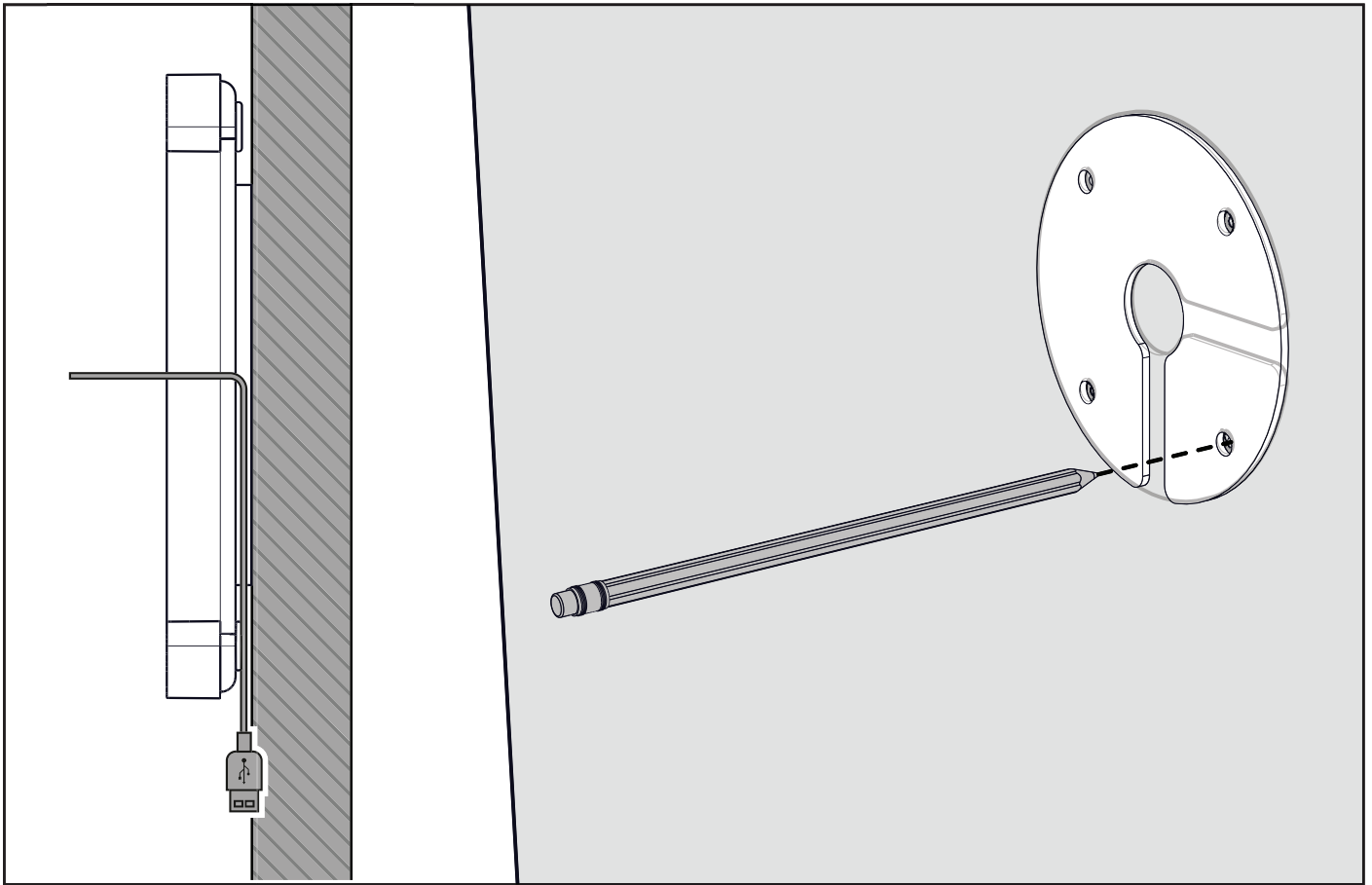
You will need



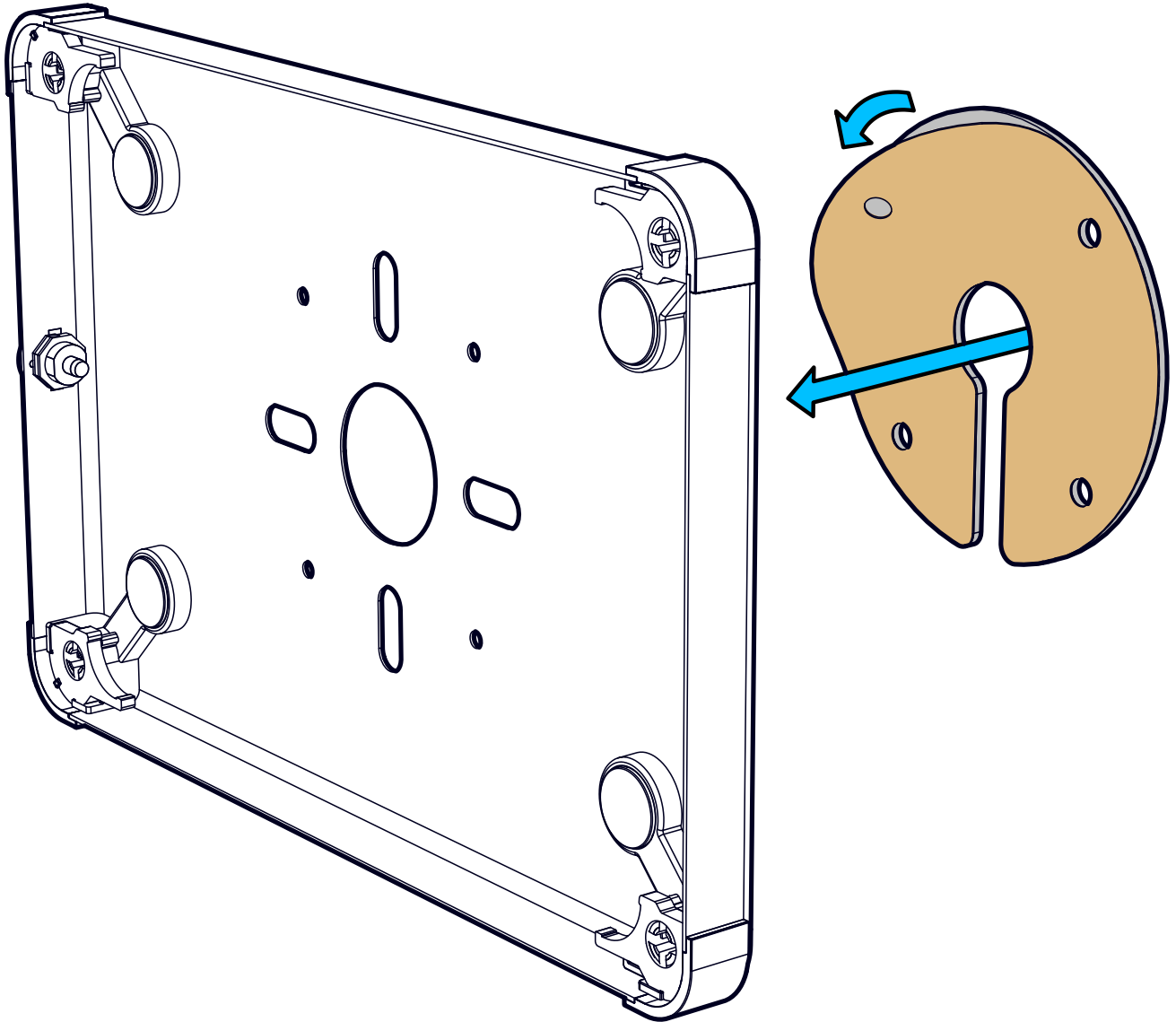
STEP 1 /7 CONCEALED CABLE OPTION



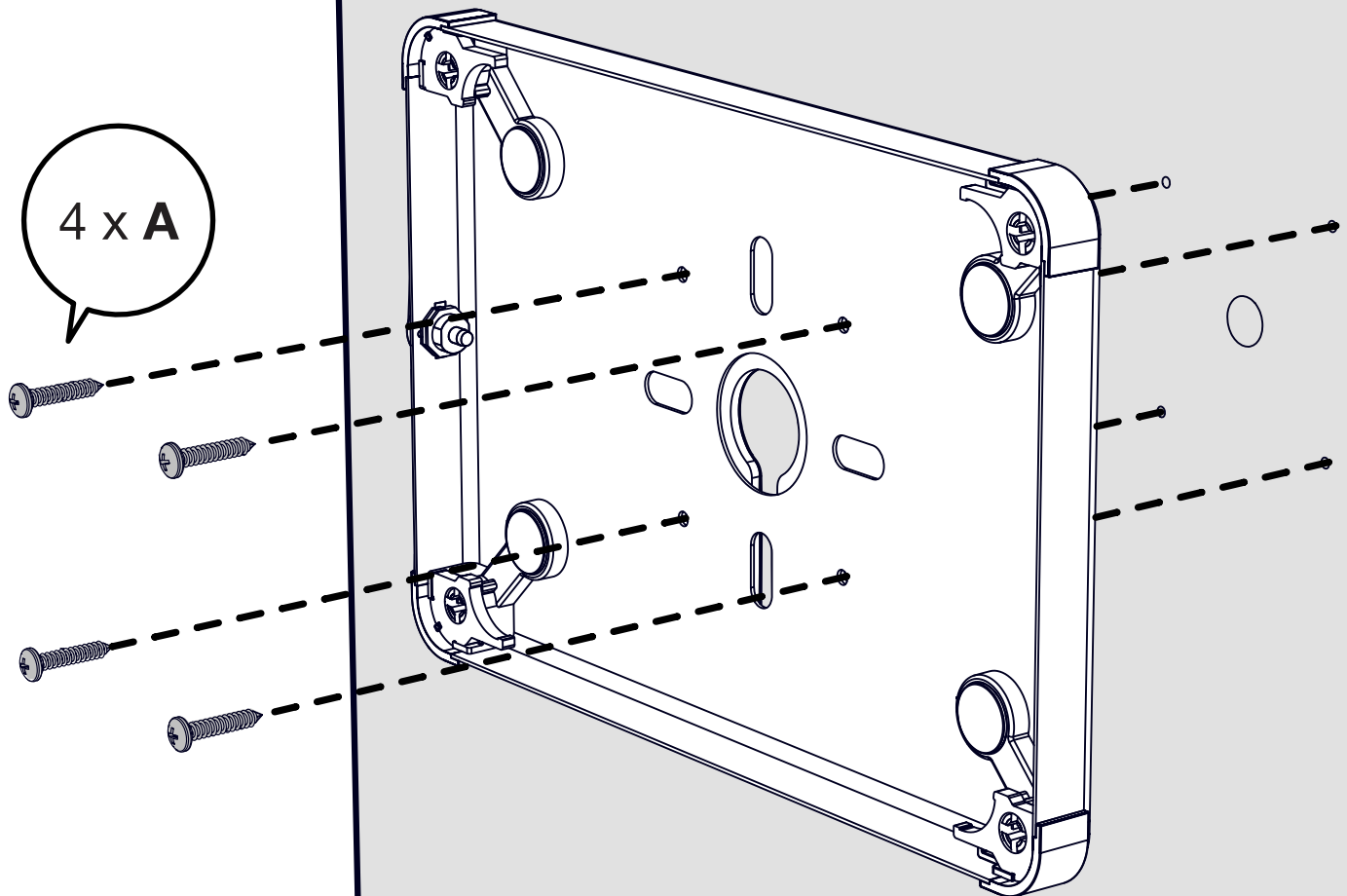
STEP 2 /7 SURFACE CABLE OPTION



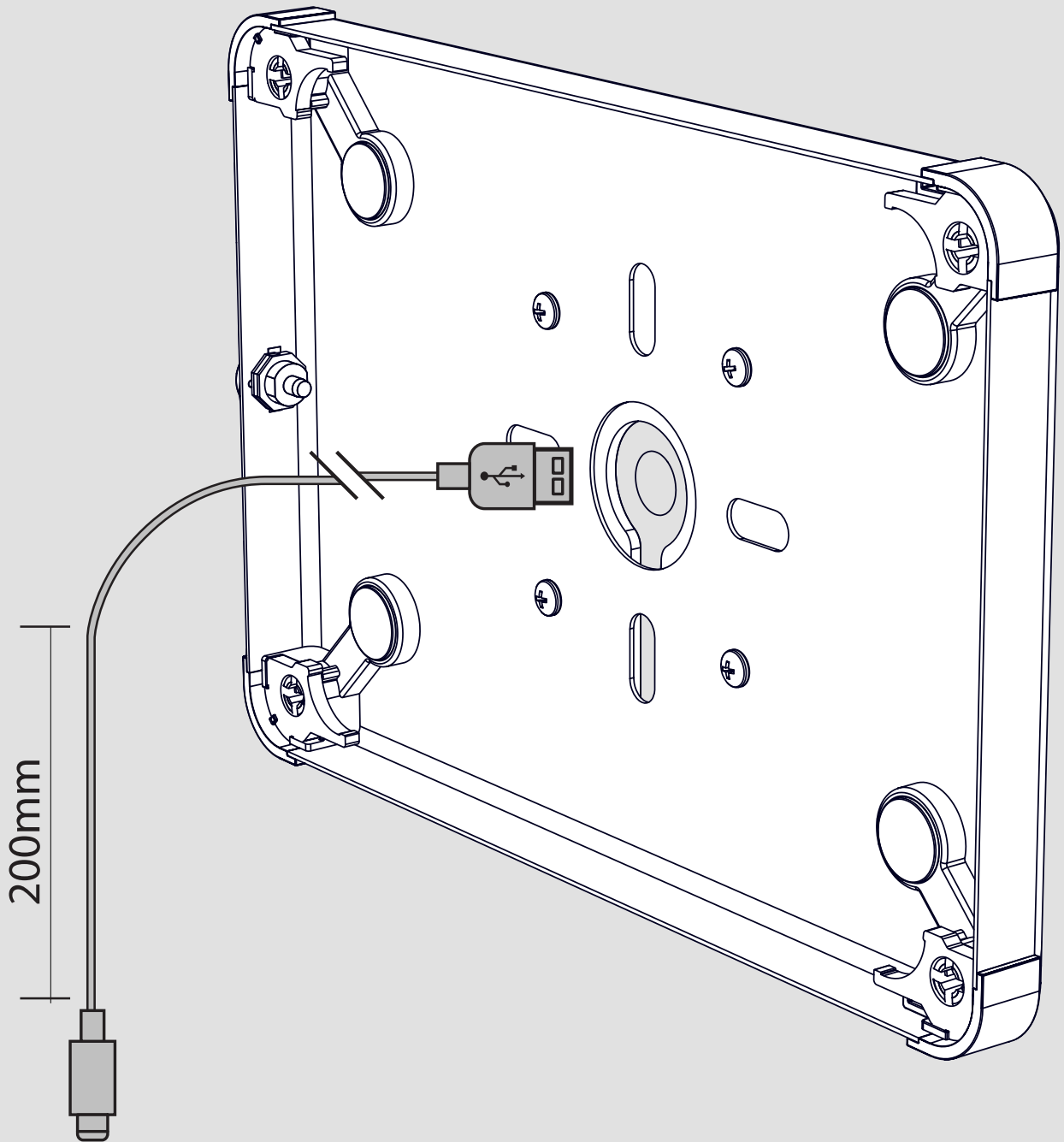
STEP 3 /7



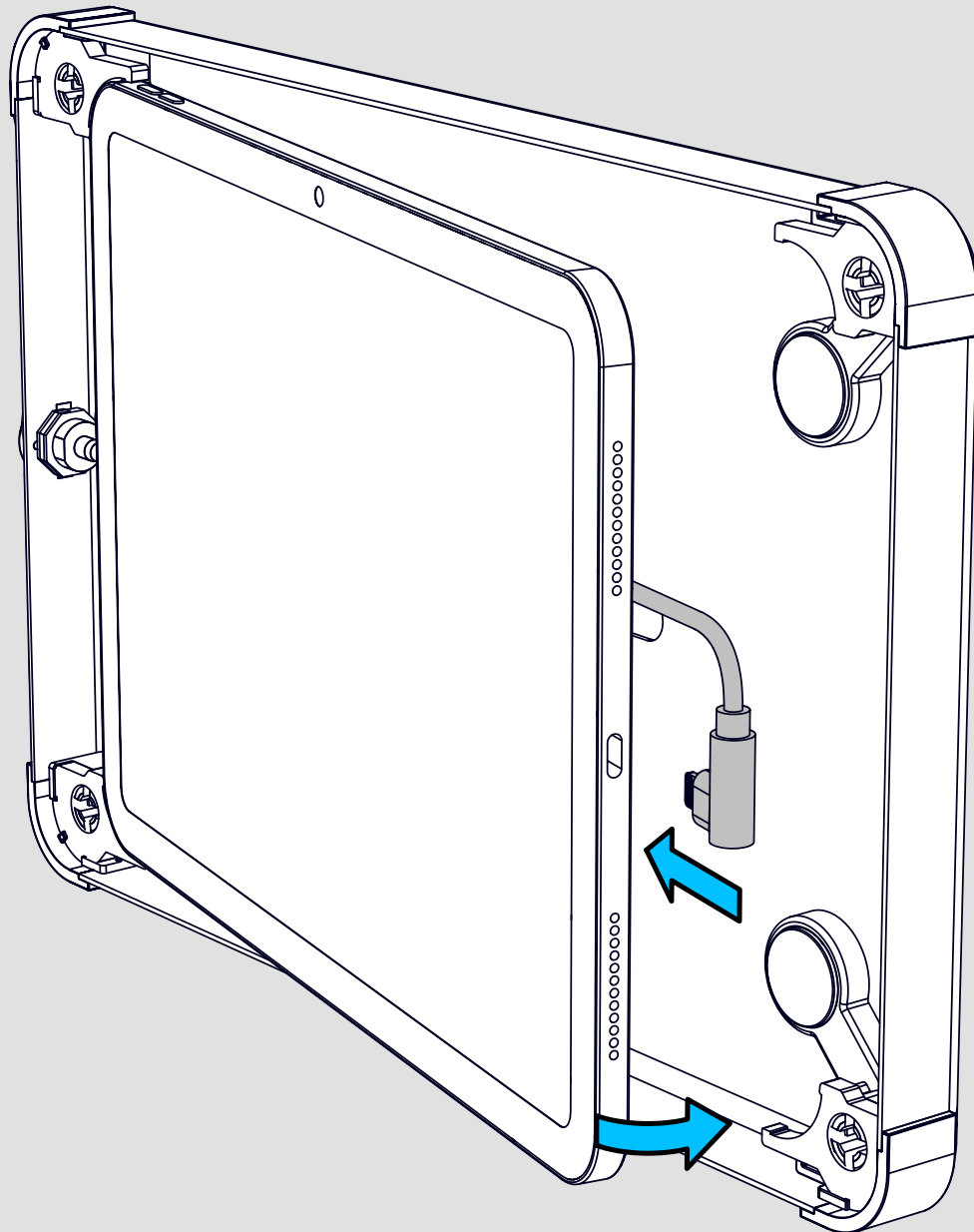
STEP 4 /17



STEP 5 /17



STEP 6 /17



STEP 7 /17

